



INNOVATION. AMPLIFIED.®

PVM™ 480

Super Cardioid Condenser Microphone



FEATURES

- Very effective super-cardioid directional pattern
- Powered from any 9-52 volt phantom power source
- Rugged brass handle with black powder coat finish
- Includes swivel adapter, and windscreens
- Permanently polarized condenser element (back-electret type)
- 20dB (typical) front to back rejection
- One of its best uses is for hi-hat and overhead cymbals

SPECIFICATIONS

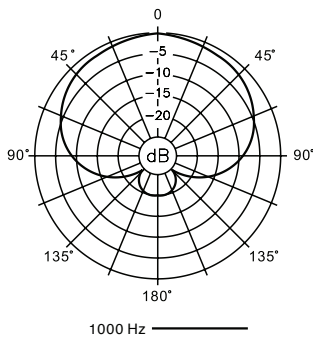
Type: Wide Dynamic Range
 Pickup Pattern: Super Cardioid Directional
 Frequency Response: 40Hz~20kHz
 Sensitivity: $-45\pm 2\text{dBV/pa}$
 Impedance: 500 ohm
 Max SPL: 128dB
 Connector: XLR
 Dimensions: 54 x 180mm
 Net Weight: 367g

Standard Accessories

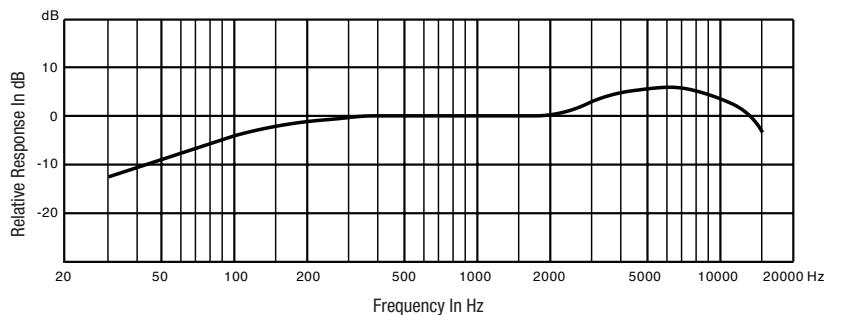
Hardshell case and mic clip with stand adapter



Pickup Pattern



Frequency Response



Features and specifications are subject to change without notice.